



BRAND

Robert Abbey

DESCRIPTION

Brighton Pendant features a clear halophane glass diffuser with a matte black shade hood and polished nickel or modern brass finish.



Shown in: Polished Nickel / Clear Halophane

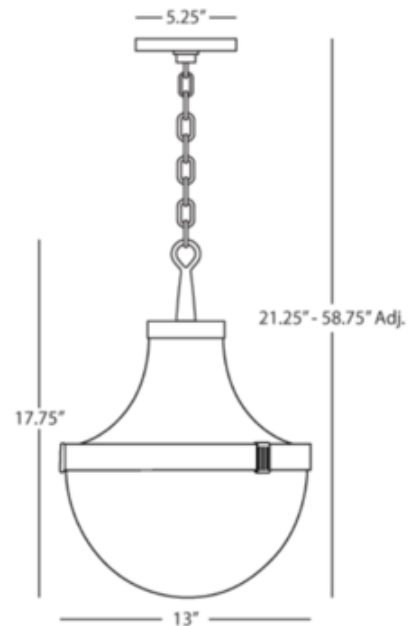
SHADE COLOR	Clear Halophane
BODY FINISH	Polished Nickel
WATTAGE	150W
DIMMER	Standard 120V
DIMENSIONS	13"W x 17.75"H
BULB NOT INCLUDED	
LAMP	1 x A19/Medium (E26)/150W/120V Incandescent 1 x A19/Medium (E26)/120V LED

Technical Information

PRODUCT DIMENSIONS	Chain Length: 36"
---------------------------	-------------------

SPEC #

RAB401223



COMPANY

PROJECT

FIXTURE TYPE

APPROVED BY

DATE