

Lightology

lightology.com
866-954-4489
05-21-26

Project: _____

Company: _____

Location: _____ Fixture Type: _____

SPEC #: **TLG402881**

Approved On: _____ Approved By: _____

Palona LED Pendant By Visual Comfort Modern



Description

Palona Pendant flawlessly blends the art of beautifully transparent hand-blown glass and highly engineered mechanical components into one simply stunning pendant light. Shade available in Clear, Smoke or White. with finish in Satin Nickel or Aged Brass. Available with Warm Dim (3000K-2200K) and 2700K LED options. Warm Dim includes one 9 watt, 120 volt 3000K-2200K Warm Dim LED module with 684 lumens. 2700K option includes a 3.5 watt, ST19 medium base lamp in 2700K color temperature with 250 lumens. Provided with six feet of field-cutttable suspension cable and a 4.5 inch round flush mount canopy. Dimmable with low-voltage electronic dimmer, sold separately. ETL listed. Suitable for damp locations.

Specifications

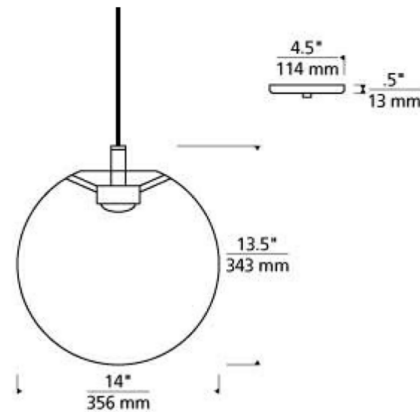
COLOR	Smoke
BODY FINISH	Satin Nickel
WATTAGE	9W
DIMMER	Low Voltage Electronic
DIMENSIONS	14"W x 13.5"H
INTEGRATED LED MODULE	1 x LED/9W/120V LED
COUNTRY OF ORIGIN	China

Technical Information

PRODUCT DIMENSIONS	Maximum Overall Height: 85.5"
LAMP LIFE	50000 hours
COLOR RENDERING	90 CRI
LAMP COLOR	3000K Warm Dim
LUMENS/WATT	76.00
LUMINOUS FLUX	684 lumens



Shown in satin nickel / smoke



CLICK TO VIEW PRODUCT

Notes: