

# Lightology

lightology.com  
866-954-4489  
04-24-26

Project: \_\_\_\_\_

Company: \_\_\_\_\_

Location: \_\_\_\_\_ Fixture Type: \_\_\_\_\_

SPEC #: **AHM413700**

Approved On: \_\_\_\_\_ Approved By: \_\_\_\_\_

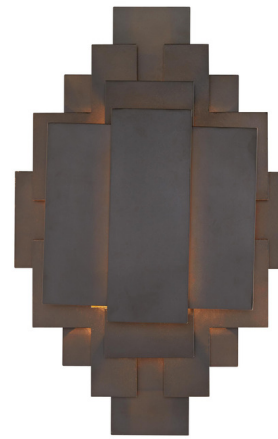
## Trinidad Wall Sconce

By Arteriors Home

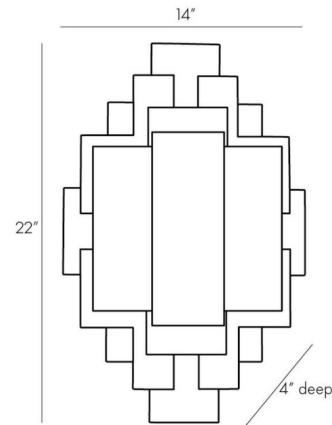


### Description

The Trinidad Wall Sconce was inspired by the 1950s brutalist movement, this one light, iron sconce is crafted out of hand cut geometric shapes, welded together into a tribal-like pattern. The wax finish helps keep the sconce natural perfect for horizontal or vertical mounting.



Shown in black iron



### Specifications

COLOR . . . . . N/A  
BODY FINISH . . . . . Black Iron  
WATTAGE . . . . . 50W  
DIMMER . . . . . Standard 120V  
DIMENSIONS . . . . . 14"W x 22"H x 4"D  
BULB NOT INCLUDED . . . . . 2 x A19/Medium (E26)/25W/120V Incandescent



CLICK TO VIEW PRODUCT

Notes: