

# Lightology

lightology.com  
866-954-4489  
06-20-26

Project: \_\_\_\_\_

Company: \_\_\_\_\_

Location: \_\_\_\_\_ Fixture Type: \_\_\_\_\_

SPEC #: **CER413934**

Approved On: \_\_\_\_\_ Approved By: \_\_\_\_\_

## Tersus Wood Wall Sconce

By Cerno



### Description

The Tersus Wall Sconce is an example of the simplest form unlocking a myriad of design possibilities from rustic to contemporary. Features a wood body with matching wood front panel and frosted polymer diffuser. TRIAC and ELV dimming at 120V; 0-10V dimming at 277V.

### Specifications

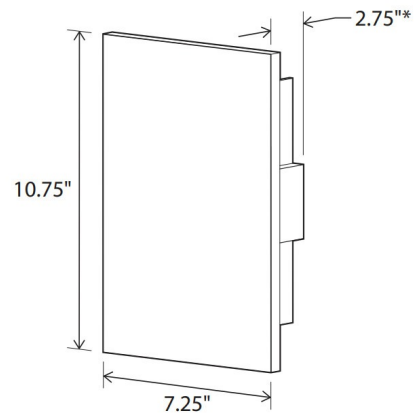
COLOR	N/A
BODY FINISH	Walnut
WATTAGE	13W
DIMMER	Low Voltage Electronic
DIMENSIONS	7.25"W x 10.75"H x 2.75"D
INTEGRATED LED MODULE	1 x LED/13W/120-277V LED
COUNTRY OF ORIGIN	United States

### Technical Information

COLOR RENDERING	90 CRI
LAMP COLOR	2700K
LUMENS/WATT	86.92
LUMINOUS FLUX	1130 lumens



Shown in walnut



CLICK TO VIEW PRODUCT

Notes: