

Lightology

lightology.com
866-954-4489
05-12-25

Project: _____

Company: _____

Location: _____ Fixture Type: _____

SPEC #: **CER413936**

Approved On: _____ Approved By: _____

Tersus Metallic Wall Sconce

By Cerno



Description

The Tersus Wall Sconce is an example of the simplest form unlocking a myriad of design possibilities from industrial to contemporary. Features a Walnut, Dark Stained Walnut, White Washed Oak, or Maple wood body with Brushed Aluminum, Brushed Brass or Brushed Rose Gold metallic front panel and Frosted polymer diffuser in 2700K or 3500K color temperature options. Made in the USA. UL and CUL listed. ADA compliant.

Specifications

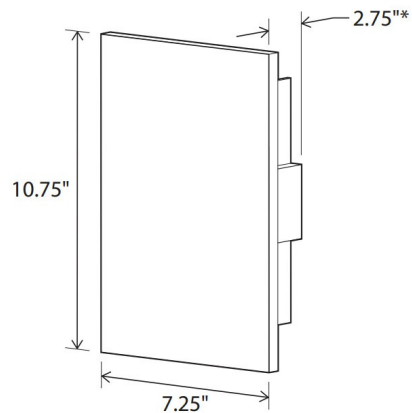
COLOR	Brushed Rose Gold
BODY FINISH	Walnut
WATTAGE	13W
DIMMER	Low Voltage Electronic
DIMENSIONS	7.25"W x 10.75"H x 2.75"D
INTEGRATED LED MODULE	1 x LED/13W/120-277V LED
COUNTRY OF ORIGIN	United States

Technical Information

COLOR RENDERING	90 CRI
LAMP COLOR	2700K
LUMENS/WATT	86.92
LUMINOUS FLUX	1130 lumens



Shown in walnut / brushed rose gold



CLICK TO VIEW PRODUCT

Notes: