



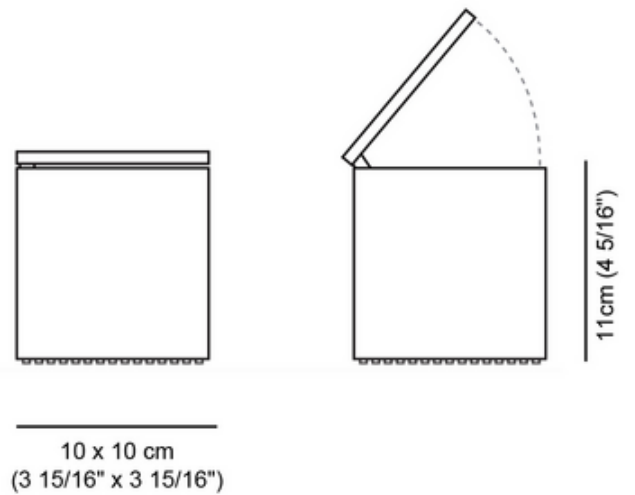
DESIGNER Franco Bettonica / Mario Melocchi - Cini&Nils
BRAND ZANEEN design

DESCRIPTION

The Cuboled Table Lamp is made of a technopolymer resin material in Black or White. The light switches on when the lid is opened and switches off when lid is closed. Light beam adjustable by orientation of led/reflector. Includes one 120 volt LED light source and non-dimming LED driver. CSA certified, listed to UL & CSA Standards.



SHADE COLOR	White
BODY FINISH	N/A
WATTAGE	2W
DIMMER	Not Dimmable
DIMENSIONS	3.94"W x 4.31"H x 3.94"D
INTEGRATED LED MODULE	
LAMP	1 x LED/2W/120V LED
<i>Technical Information</i>	
LAMP COLOR	2700K
COLOR RENDERING	90 CRI
SPEC #	ZAN422270



COMPANY	PROJECT	FIXTURE TYPE	APPROVED BY	DATE