

Lightology

lightology.com
866-954-4489
06-04-26

Project: _____

Company: _____

Location: _____ Fixture Type: _____

SPEC #: **SID422811**

Approved On: _____ Approved By: _____

Puzzle Square Wall / Ceiling Flush Light

By LODES

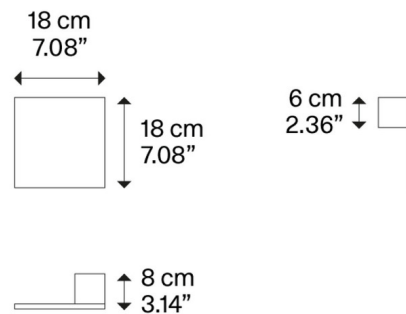


Description

The Puzzle Square Wall / Ceiling Flush Light adds a clean geometric vibe to your ceiling or wall with charming lighting effects that wash your space with a warm glow. Note: If you would like to install in diamond configuration (as shown in image), you will need to mount on an octagon j-box to fully cover the opening. If you install on a round box, you must install in square configuration.



Shown in matte white



Specifications

COLOR N/A
BODY FINISH Matte White
WATTAGE 17W
DIMMER Standard 120V
DIMENSIONS 7.08"W x 7.08"H x 3.14"D
INTEGRATED LED MODULE 1 x LED/17W/120V LED
COUNTRY OF ORIGIN Italy

Technical Information

COLOR RENDERING 80 CRI
LAMP COLOR 3000K
LUMENS/WATT 105.88
LUMINOUS FLUX 1800 lumens



CLICK TO VIEW PRODUCT

Notes: