

Lightology

lightology.com
866-954-4489
05-21-26

Project: _____
 Company: _____
 Location: _____ Fixture Type: _____
 SPEC #: **CDI448229**
 Approved On: _____ Approved By: _____

Calypso Guadeloupe Pendant By Contardi



Description

The Calypso Guadeloupe Pendant is a collection of lamps inspired by the forties. They show a connection with the tropical and Southern American world, where the European deco style, characterized by geometric lines and black and whites, is twisted and revitalized thanks to bright colors and patterns. Includes a moss green braided silk suspension cord. Note: 27.5 inch option available in Sale e Pepe shade only.

Specifications

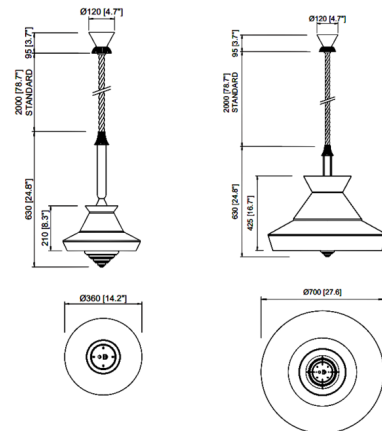
COLOR Sale E Pepe Multi
 BODY FINISH Satin Brass
 WATTAGE 14W
 DIMMER Standard 120V
 DIMENSIONS 14.2"W x 24.8"H
 BULB NOT INCLUDED 1 x A19/Medium (E26)/14W/120V LED
 COUNTRY OF ORIGIN Italy

Technical Information

PRODUCT DIMENSIONS Adjustable Cable Length: 78.7"



Shown in satin brass / sale e pepe multi



CLICK TO VIEW PRODUCT

Notes: