

Lightology

lightology.com
866-954-4489
06-24-26

Project: _____
 Company: _____
 Location: _____ Fixture Type: _____
 SPEC #: **CDI448232**
 Approved On: _____ Approved By: _____

Calypso Martinique Pendant By Contardi

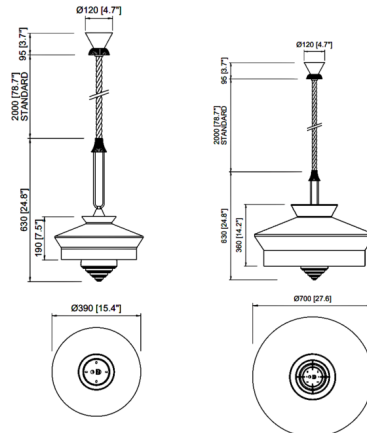


Description

The Calypso Martinique Pendant is a collection of lamps inspired by the forties. They show a connection with the tropical and Southern American world, where the European deco style, characterized by geometric lines and black and whites, is twisted and revitalized thanks to bright colors, patterns, and twine. Includes a moss green braided silk suspension cord. Note: 27.5 inch option available in Yellow Multi only.



Shown in satin brass / yellow multi



Specifications

COLOR	Yellow Multi
BODY FINISH	Satin Brass
WATTAGE	14W
DIMMER	Standard 120V
DIMENSIONS	15.4"W x 24.8"H
BULB NOT INCLUDED	1 x A19/Medium (E26)/14W/120V LED
COUNTRY OF ORIGIN	Italy

Technical Information

PRODUCT DIMENSIONS Adjustable Cable Length: 78.7"



CLICK TO VIEW PRODUCT

Notes: