

Lightology

lightology.com
866-954-4489
04-27-26

Project: _____
 Company: _____
 Location: _____ Fixture Type: _____
 SPEC #: **ELE449248**
 Approved On: _____ Approved By: _____

Element 4IN RD Flangeless Adjustable Non-IC Housing

By Visual Comfort Architectural



Description

The 4 Inch Round Flangeless Adjustable Non-IC Airtight Housing is constructed of heavy gauge cold rolled steel with a durable Matte Black powder coat finish. Non-IC designation requires that insulation must be kept a minimum of 3 inches away from housing. This specification grade housing includes a low output 17 watt, high output 31 watt, or max output 35 watt LED module available with choice of 2700K, 3000K or 3500K color temperature, or Warm Dim 3000K-1800K. Available in an 18 degree, 25 degree, 40 degree, or 60 degree beam angle option. Features high-low lamp positioning. Adjustability allows for tool-free hot aiming and locking including 0 to 40 degree tilt and 361 degree rotation. 4.5 inch ceiling opening. ETL listed. Suitable for damp locations. Title 24 compliant. 5 year warranty. Dimmable down to 5 percent with an electronic low voltage (ELV) or 1 percent with a 0-10V dimmer, sold separately. A complete fixture includes a housing and trim, sold separately. NOTE: 10 DEGREE BEAM ANGLE AVAILABLE ON LOW OUTPUT (17 WATT) 2700K, 3000K and 3500K COLOR TEMPERATURE OPTIONS ONLY.

Specifications

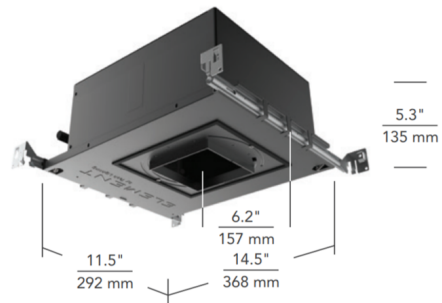
REFLECTOR/BAFFLE COLOR	N/A
BODY FINISH	Matte Black
WATTAGE	31W
DIMMER	Low Voltage Electronic
DIMENSIONS	14.5"L x 11.5"W x 5.3"H
INTEGRATED LED MODULE	1 x LED/31W/120V LED

Technical Information

APERTURE SIZE	4.000"
APERTURE SHAPE	Round
HOUSING HEIGHT	5"
HOUSING TYPE	New construction NON IC Airtight
CEILING TYPE	Drywall Trimless/Flush
BEAM ANGLE	18°
COLOR RENDERING	90 CRI
LAMP COLOR	2700K
LUMENS/WATT	66.45
LUMINOUS FLUX	2060 lumens



Shown in matte black



CLICK TO VIEW PRODUCT

Notes: