

Lightology

lightology.com
866-954-4489
04-22-26

Project: _____

Company: _____

Location: _____ Fixture Type: _____

SPEC #: **OLC454474**

Approved On: _____ Approved By: _____

The Globe Table Lamp

By Oluce Srl

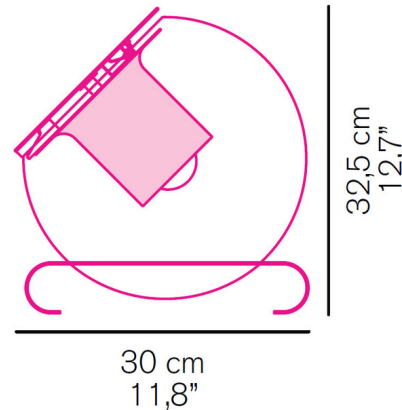


Description

The Globe Table Lamp, designed by Joe Colombo in 1964, features a Transparent Blown Glass diffuser with an internal turned metal reflector which holds the bulb.



Shown in satin nickel / transparent



Specifications

COLOR	Transparent
BODY FINISH	Satin Nickel
WATTAGE	60W
DIMMER	N/A
DIMENSIONS	11.8"W x 12.7"H
BULB NOT INCLUDED	1 x A19/Medium (E26)/60W/120V Incandescent
OTHER BULB OPTIONS	A19/Medium (E26)/120V LED
COUNTRY OF ORIGIN	Italy



CLICK TO VIEW PRODUCT

Notes: