

Lightology

lightology.com
866-954-4489
07-06-26

Project: _____

Company: _____

Location: _____ Fixture Type: _____

SPEC #: **NIL457422**

Approved On: _____ Approved By: _____

Ellisse Double Pendant

By Nemo



Description

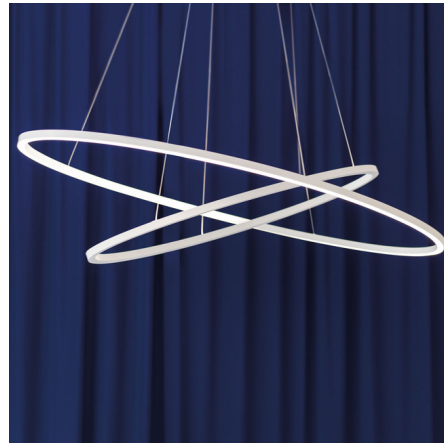
The Ellisse Double Pendant brings an open airy feel to a variety of interior spaces. Two aluminum rings can be adjusted to your desired position, creating a one of a kind piece. Features downlight and uplight distribution (1980 lumens down + 1300 lumens up). Available with matt lacquered painted finish in White, Black, or Gold or polished anodized finish in Gold or Aluminum. Note: The pendant must be installed so that the rings are at an angle. The pendant cannot be installed so that both rings are flat. Anodized Gold finish is available in 2700K only.

Specifications

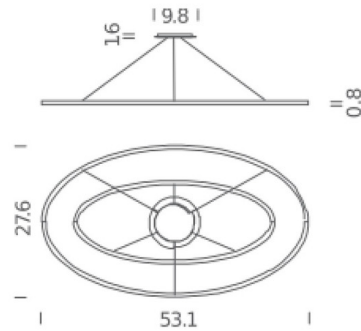
COLOR Opal
BODY FINISH White
WATTAGE 90W
DIMMER Low Voltage Electronic
DIMENSIONS 53.1"W x 0.8"H x 27.6"D
INTEGRATED LED MODULE 1 x LED/70W/120V LED
INTEGRATED LED MODULE 1 x LED/20W/120V LED
COUNTRY OF ORIGIN Italy

Technical Information

COLOR RENDERING 85 CRI
LAMP COLOR 3000K
LUMENS/WATT 46.86
LUMINOUS FLUX 3280 lumens



Shown in white / opal



CLICK TO VIEW PRODUCT

Notes: