



DESIGNER

Gregory Kay

BRAND

PureEdge Lighting

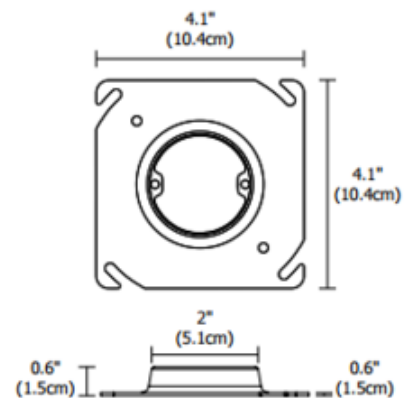
DESCRIPTION

The New Construction Junction Box Cover mounts to a standard 4 inch electrical box or octagon box, converting to a 2 inch plaster ring for new construction. Included with the 2 inch round and square canopies and is not required for the 4 inch square canopy (included as the standard canopy option with all Cirrus Suspension fixtures). May be ordered separately as a rough-in component or replacement part. 4.1 inch square x .6 inch depth.



Shown in: Aluminum

SHADE COLOR	N/A
BODY FINISH	Aluminum
WATTAGE	N/A
DIMMER	N/A
DIMENSIONS	4.1"W x 4.1"H x 0.6"D
LAMP	N/A



SPEC # EDG457676

COMPANY	PROJECT	FIXTURE TYPE	APPROVED BY	DATE