

# Lightology

lightology.com  
866-954-4489  
05-25-26

Project: \_\_\_\_\_

Company: \_\_\_\_\_

Location: \_\_\_\_\_ Fixture Type: \_\_\_\_\_

SPEC #: **HMR461850**

Approved On: \_\_\_\_\_ Approved By: \_\_\_\_\_

## Coppa Wall Sconce By Hammerton Studio



### Description

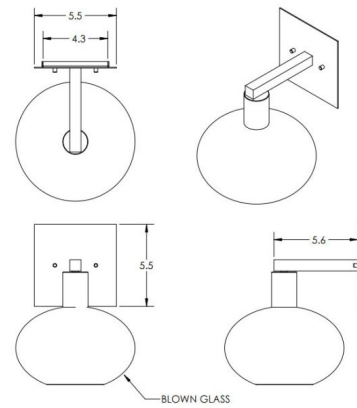
The Coppa Wall Sconce brings a simple yet elegant design to a variety of spaces. Available with Optic Smoke, Optic Clear, Optic Bronze, Optic Amber intriguing blown glass and a Matte Black, Metallic Beige Silver, Flat Bronze, or Gilded Brass finish. Made in the USA. UL listed.

### Specifications

COLOR	Optic Smoke
BODY FINISH	Flat Bronze
WATTAGE	40W
DIMMER	Standard 120V
DIMENSIONS	8"W x 10.9"H x 8.4"D
BULB NOT INCLUDED	1 x Edison/Medium (E26)/40W/120V Incandescent
OTHER BULB OPTIONS	1 x A19/Medium (E26)/120V Incandescent 1 x A19/Medium (E26)/120V LED 1 x Edison/Medium (E26)/120V LED
COUNTRY OF ORIGIN	United States



Shown in flat bronze / optic smoke



HAND BLOWN GLASS MAY VARY UP TO 1"



CLICK TO VIEW PRODUCT

Notes: