



BRAND

WAC Lighting

DESCRIPTION

LED 12V Outdoor Wall Wash Flood Light provides a uniform wide distribution wall wash from a small form factor. Available in solid die-cast brass with a Bronze finish or corrosion-resistant aluminum with a Bronze or Black finish. Mounting stake, 6 foot lead wire, and direct burial gel-filled wire nuts included. Integrated 2-16 watt 12 volt LED light source. Choice of Warm White (2700K) or Pure White (3000K) color temperature. Integral dimmer, not suited for use with external dimmers. 15 degree upward beam angle (50 x 80 degree). 70,000 hour rated life. 4.38 inch width x 6.13 inch height x 3.75 inch depth. 9-15VAC; low-voltage magnetic transformer required, sold separately. UL listed. IP66 rated: protected against powerful jets of water.



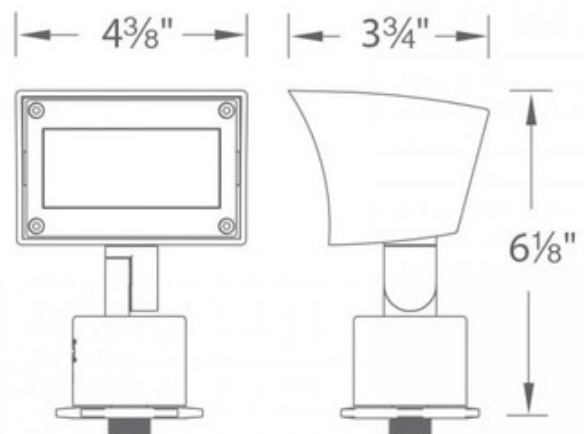
Shown in: Bronze on Aluminum / Frosted

SHADE COLOR	Frosted
BODY FINISH	Bronze on Aluminum
WATTAGE	16W
DIMMER	Included
DIMENSIONS	4.38"W x 6.13"H x 3.75"D
INTEGRATED LED MODULE	
LAMP	1 x LED/16W/12V LED

Technical Information

LUMINOUS FLUX	980 lumens
LUMENS/WATT	61.25
LAMP COLOR	2700K
COLOR RENDERING	85 CRI
BEAM SPREAD	Adjustable

SPEC # WAC462196



COMPANY	PROJECT	FIXTURE TYPE	APPROVED BY	DATE