



BRAND

DALS Lighting

DESCRIPTION

The SuperPuck Puck Light is well suited for accent task lighting under cabinets and in other areas. Ideal for highlighting display cabinets. Available in Satin Nickel, White, or Black. Approved for installation inside, under, or over cabinets with the light shining in any direction. One 1.68 or 2.9 watt LED module is included. ETL listed. 2.625 inch width x 0.625 inch height. Required 12 volt LED driver and optional mounting accessories sold separately.



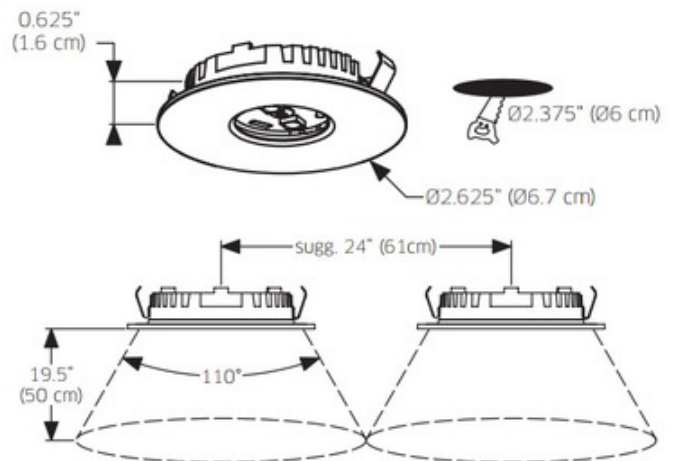
Shown in: Satin Nickel / Frosted

| | |
|--------------------|------------------------|
| SHADE COLOR | Frosted |
| BODY FINISH | Satin Nickel |
| WATTAGE | 1.68W |
| DIMMER | Low Voltage Electronic |
| DIMENSIONS | 2.63"W x 0.63"H |
| LAMP | 1 x LED/1.68W/12V LED |

Technical Information

| | |
|------------------------|------------|
| LUMINOUS FLUX | 168 lumens |
| LUMENS/WATT | 100.00 |
| LAMP COLOR | 3000 K |
| COLOR RENDERING | 90 CRI |

ITEM NUMBER DLS472897



| COMPANY | PROJECT | FIXTURE TYPE | APPROVED BY | DATE |
|---------|---------|--------------|-------------|------|
| | | | | |