

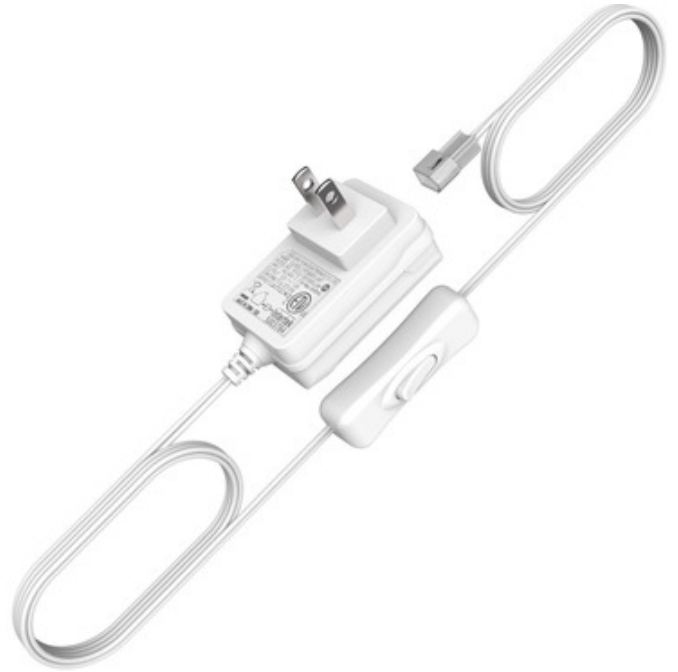


**BRAND**

DALS Lighting

**DESCRIPTION**

120V Input AC to 12VDC Output LED Plug-in Driver is compatible with DALS Lighting LED products requiring alternate power supplies. Available in max output power of 12 watts. Short circuit and over voltage protection. On/off switch on cord. 48 inch cord with practical click-in connector. Class 2.

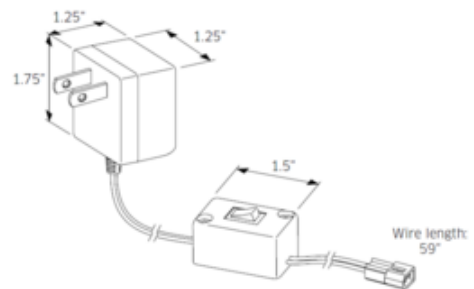


*Shown in: White*

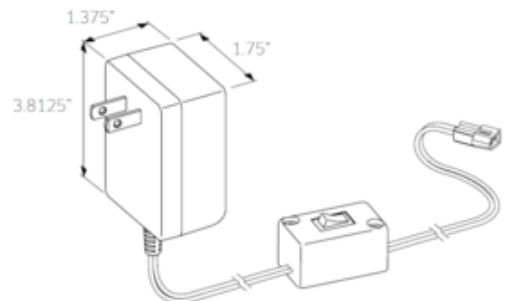
<b>SHADE COLOR</b>	N/A
<b>BODY FINISH</b>	White
<b>WATTAGE</b>	12W
<b>DIMMER</b>	Not Dimmable
<b>DIMENSIONS</b>	48"L
<b>BULB NOT INCLUDED</b>	
<b>LAMP</b>	N/A

**SPEC #** DLS473047

**ETR-LED10WPI**



**ETR-LED24WPI**



COMPANY	PROJECT	FIXTURE TYPE	APPROVED BY	DATE