

# Lightology

lightology.com  
866-954-4489  
06-22-26

Project: \_\_\_\_\_  
 Company: \_\_\_\_\_  
 Location: \_\_\_\_\_ Fixture Type: \_\_\_\_\_  
 SPEC #: **ART473463**  
 Approved On: \_\_\_\_\_ Approved By: \_\_\_\_\_

## Chlorophilia 2 Suspension By Artemide



### Description

The Chlorophilia 2 Suspension is a breathtaking display of organic design and innovative LED technology, transforming light into a dynamic, sunburst spectacle. This ethereal fixture features multiple LED elements meticulously arranged in a partially overlapping pattern, creating a broad and luminous presence that beautifully mimics the breadth and width of natural light. Its signature phytomorphic elements, crafted from molded PMMA, boast a gently wavy texture and an uneven, stepped section. These intricate details are not merely decorative; they ingeniously function as optical lenses, enhancing light distribution and creating captivating patterns of light and shadow on surrounding surfaces. Crafted from durable aluminum, the Chlorophilia 2 Suspension combines robust construction with a delicate, natural aesthetic. It's an ideal choice for creating a striking focal point in a living room, dining area, or a double-height entryway, infusing the space with an organic, vibrant glow.

### Specifications

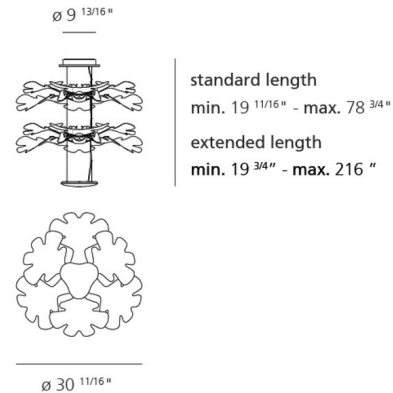
COLOR . . . . . Transparent  
 BODY FINISH . . . . . Polished Aluminum  
 WATTAGE . . . . . 83.2W  
 DIMMER . . . . . Low Voltage Electronic  
 DIMENSIONS . . . . . 30.7"W x 19.7"H  
 INTEGRATED LED MODULE . . . . . 2 x LED/41.6W/120-277V LED  
 COUNTRY OF ORIGIN . . . . . Italy

### Technical Information

PRODUCT DIMENSIONS . . . . . Canopy: 9.8" diameter  
 LAMP LIFE . . . . . 36000 hours  
 COLOR RENDERING . . . . . 93 CRI  
 LAMP COLOR . . . . . 3000K  
 LUMENS/WATT . . . . . 63.73  
 LUMINOUS FLUX . . . . . 2651 lumens



Shown in polished aluminum / transparent



CLICK TO VIEW PRODUCT

Notes: