

# Lightology

lightology.com  
866-954-4489  
07-03-26

Project: \_\_\_\_\_

Company: \_\_\_\_\_

Location: \_\_\_\_\_ Fixture Type: \_\_\_\_\_

SPEC #: **LEB476815**

Approved On: \_\_\_\_\_ Approved By: \_\_\_\_\_

## Hanging Hoop Chair

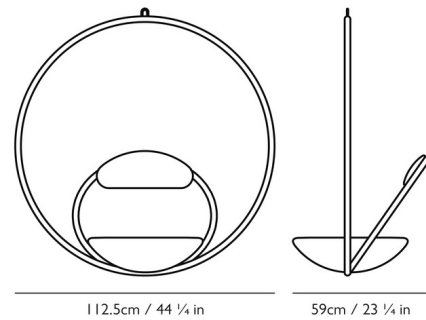
By Lee Broom

### Description

Hanging Hoop Chair, designed by Lee Broom, is suspended from above. Two Black or Brass steel circular hoops join to create the unique piece, with a seat and backrest upholstered in Red Kvadrat wool. Hardware included to hang. Must be in hung from a well supported beam. 44.3 inch width x 11.3 inch height x 19.8 inch depth.



Shown in black / red



### Specifications

COLOR	Red
BODY FINISH	Black
WATTAGE	N/A
DIMMER	N/A
DIMENSIONS	44.3"W x 44.3"H x 18.9"D
BULB	N/A
COUNTRY OF ORIGIN	United Kingdom



CLICK TO VIEW PRODUCT

Notes: