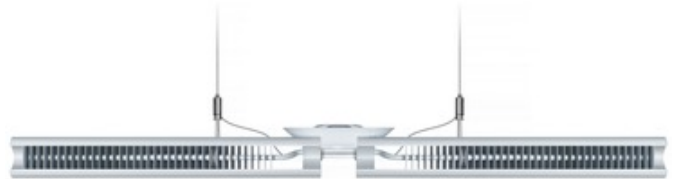




DESIGNER Jake Dyson
BRAND Jake Dyson

DESCRIPTION

The Cu-Beam Linear Suspension provides powerful light, precisely where you need it. Choice of uplight only, downlight only, or both uplight and downlight. Uplight provides perfect ambient lighting for open spaces like atriums, foyers, circulation areas, and general office lighting while the downlight provides powerful task lighting that illuminates a larger surface area than most office suspensions. Heat pipe technology creates a highly effective cooling system, meaning each light can use a single high-power, high-efficiency chip on board LED. This single light source, combined with a custom-designed PMMA lens, delivers optically efficient, precisely controlled illumination. The cooling system also prolongs the life of the light, ensuring long-lasting performance and color stability. Available in White, Silver, or Black with 3000K or 4000K color temperature. ETL listed.

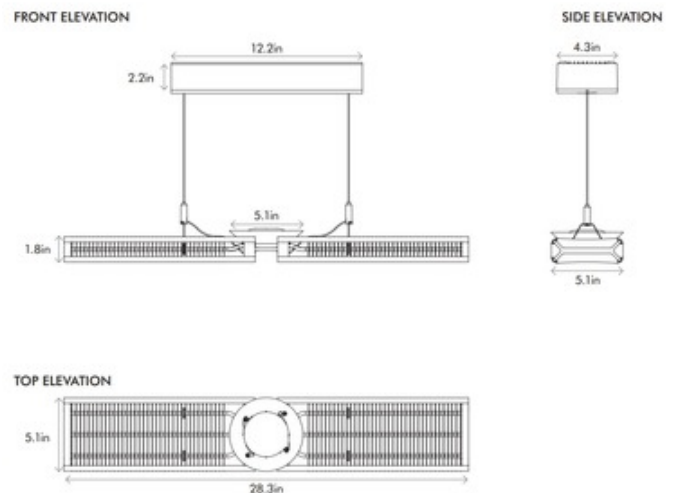


SHADE COLOR	N/A
BODY FINISH	White
WATTAGE	85W
DIMMER	Dimmable
DIMENSIONS	28.3"L x 5.1"W x 1.8"H
INTEGRATED LED MODULE	
LAMP	1 x LED/85W/120V LED

Technical Information

LUMINOUS FLUX	7570 lumens
LUMENS/WATT	89.06
LAMP COLOR	3000K
COLOR RENDERING	80 CRI
LAMP LIFE	180000 hours

SPEC # JDY476822



COMPANY	PROJECT	FIXTURE TYPE	APPROVED BY	DATE