



DESIGNER

Sean Lavin

BRAND

Visual Comfort Modern

DESCRIPTION

The Turbo Outdoor Bollard offers a clean, modern aesthetic for enhancing your outdoor space. Its sleek cylindrical open frame creates beautiful geometric shadows as the integrated LED light source shines down from the crown. Its aluminum construction, powder coat finish, and impact-resistant UV-stabilized acrylic lens ensure durability against outdoor elements. A universal 120-277V driver with integrated transient 2.5 kV surge protection is included. 0-10V dimmable. Four option selections are available: button photocontrol, in-line fuse, both the photocontrol and in-line fuse, or no options.



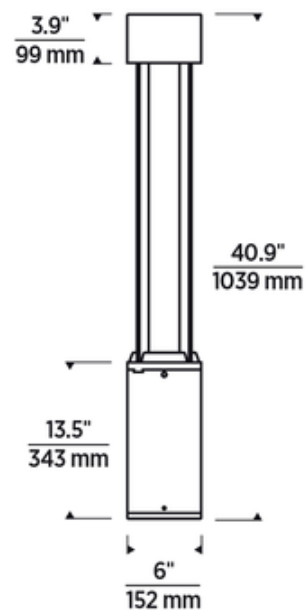
Shown in: Charcoal / Clear

SHADE COLOR	Clear
BODY FINISH	Charcoal
WATTAGE	26.3W
DIMMER	0-10V
DIMENSIONS	6"W x 40.9"H
INTEGRATED LED MODULE	
LAMP	1 x LED/26.3W/120-277V LED

Technical Information

LUMINOUS FLUX	2045 lumens
LUMENS/WATT	77.76
LAMP COLOR	3000K
COLOR RENDERING	80 CRI
BEAM ANGLE	40°

SPEC # TLG482215



COMPANY

PROJECT

FIXTURE TYPE

APPROVED BY

DATE
