

Lightology

lightology.com
866-954-4489
04-09-26

Project: _____
 Company: _____
 Location: _____ Fixture Type: _____
 SPEC #: **ELE482455**
 Approved On: _____ Approved By: _____

Turbo Outdoor Column Light

By Visual Comfort Architectural



Description

The Turbo Outdoor Column Light is a powerful LED solution for general illumination and area lighting. Its slatted column design offers a modern aesthetic, and the clean form ensures that it complements your space whether installed alone or in series. Available in various color temperatures, light output levels and beam angles, the Turbo provides just the right lighting effect for your commercial application. Die-cast aluminum construction, a powder coat finish, stainless steel hardware and impact-resistant UV-stabilized frosted acrylic lensing ensure durability against harsh outdoor elements. A 120-277V driver with integrated transient 2.5 kV surge protection is included, dimmable with a 0-10V dimmer. Four option selections are available: button photocontrol, in-line fuse, both the photocontrol and fuse, or no options.

Specifications

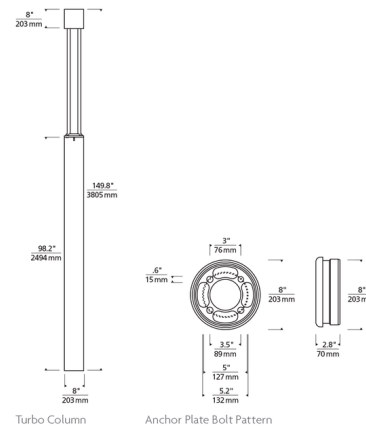
COLOR	Frosted
BODY FINISH	Charcoal
WATTAGE	28W
DIMMER	0-10V
DIMENSIONS	8"W x 149.8"H
INTEGRATED LED MODULE	1 x LED/28W/120-277V LED
COUNTRY OF ORIGIN	China

Technical Information

LAMP LIFE	70000 hours
BEAM ANGLE	20°
COLOR RENDERING	80 CRI
LAMP COLOR	3000K
LUMENS/WATT	75.00
LUMINOUS FLUX	2100 lumens



Shown in charcoal / frosted



Turbo Column

Anchor Plate Bolt Pattern



CLICK TO VIEW PRODUCT

Notes: