



BRAND Visual Comfort Modern

DESCRIPTION

Featuring a highly pitched roofline, the Peak Outdoor Wall Sconce is reminiscent of a charming clapboard shingle. Cleverly hidden hardware ensures a clean look, while the LED downlight gently grazes the backplate and delivers a welcoming ambient glow. The light is warm dim, 3000K at its brightest and warming to 2200K as it dims. Die-cast aluminum construction, a powder coat finish, and stainless steel hardware provide durability. Perfect for front door lighting or for illuminating a back porch or patio, the Peak offers a polished look for your space.

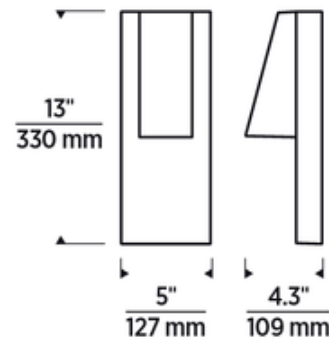


SHADE COLOR	N/A
BODY FINISH	Silver
WATTAGE	14.5W
DIMMER	Low Voltage Electronic
DIMENSIONS	5"W x 13"H x 4.3"D
INTEGRATED LED MODULE	
LAMP	1 x LED/14.5W/120V LED

Technical Information

LUMINOUS FLUX	391 lumens
LUMENS/WATT	26.97
LAMP COLOR	3000K Warm Dim
COLOR RENDERING	90 CRI

SPEC # TLG493311



COMPANY	PROJECT	FIXTURE TYPE	APPROVED BY	DATE