

# Lightology

lightology.com  
866-954-4489  
04-24-26

Project: \_\_\_\_\_

Company: \_\_\_\_\_

Location: \_\_\_\_\_ Fixture Type: \_\_\_\_\_

SPEC #: **TLG493418**

Approved On: \_\_\_\_\_ Approved By: \_\_\_\_\_

## Blok Monorail Pendant

By Visual Comfort Modern



### Description

The Blok Monorail Pendant features a hexagonal silhouette giving this otherwise contemporary pendant an Art Deco-inspired upgrade. Compatible for use with 1-circuit Monorail track system. Supplied with six feet of field cuttable suspension cable and a Monorail connector.

### Specifications

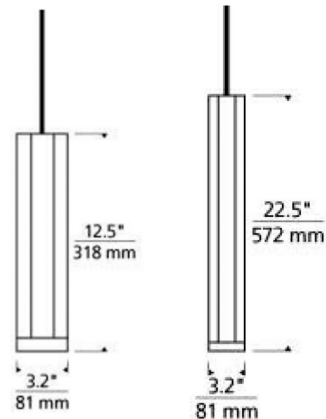
COLOR . . . . . Aged Brass  
BODY FINISH . . . . . Aged Brass  
WATTAGE . . . . . 6W  
DIMMER . . . . . Low Voltage Electronic  
DIMENSIONS . . . . . 3.2"W x 12.5"H  
BULB NOT INCLUDED . . . . . 1 x MR16/GU5.3 (bipin)/6W/12V LED  
COUNTRY OF ORIGIN . . . . . China

### Technical Information

PRODUCT DIMENSIONS . . . . . Suspension Cable: 6ft



Shown in aged brass / aged brass



CLICK TO VIEW PRODUCT

Notes: