



DESIGNER

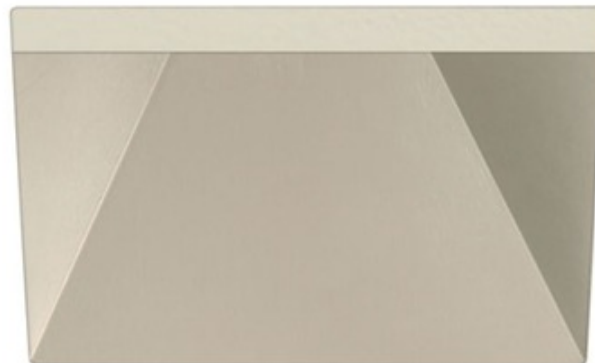
Gregory Kay

BRAND

PureEdge Lighting

DESCRIPTION

Genna 3.5 Square Halogen Wall Wash Trim and Housing is a specification grade recessed wall wash plaster in fixture for drywall applications. Trim offers a no-glare aperture and ultra uniform field of light to top of wall. Trim made of die cast and precision machined aluminum 3.5 inch aperture. Flangeless, flush square trim with precision snap fit into the plaster plate. Precision cut aluminum reflector in White, Satin Black, Satin Bronze or Satin Aluminum. For even illumination mount at 32 inch center to center and 40 inch from center to wall. The plaster plate is primed and mounted flush with ceiling. The AH6 IC and AirTight housing is suitable for remodel and new construction installations. Includes standard 75 watt 120 volt magnetic transformer. Secondary output voltage is 11.8 volts. Requires one 12 volt 50 watt IR MR16 lamp, not included. 50 watt IR lamp equal to 75 watt halogen. Includes frosted prismatic lens to provide smooth beam pattern. UL listed for damp locations. Rated for wet locations when used with LWET wet location accessory lens, sold separately. 15.75 inch length x 9.25 inch width x 8.6 inch height.

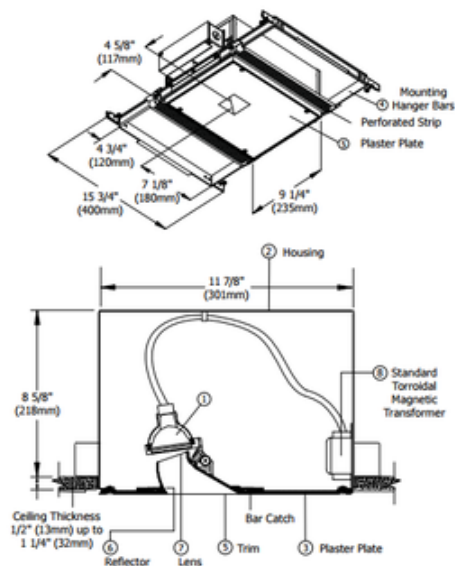


TRIM COLOR	N/A
BODY FINISH	Satin Aluminum
WATTAGE	50W
DIMMER	Low Voltage Magnetic
DIMENSIONS	15.75"L x 9.25"W x 8.6"H
BULB NOT INCLUDED	
LAMP	1 x MR16/GU5.3 (bipin)/50W/12V Halogen 1 x MR16/GU5.3 (bipin)/12V LED

Technical Information

FUNCTION	Wall Washer
CEILING TYPE	Drywall Trimless/Flush
HOUSING TYPE	New construction IC Airtight
HOUSING HEIGHT	9"
APERTURE SHAPE	Square

SPEC # EDG49742



COMPANY	PROJECT	FIXTURE TYPE	APPROVED BY	DATE