



BRAND

PureEdge Lighting

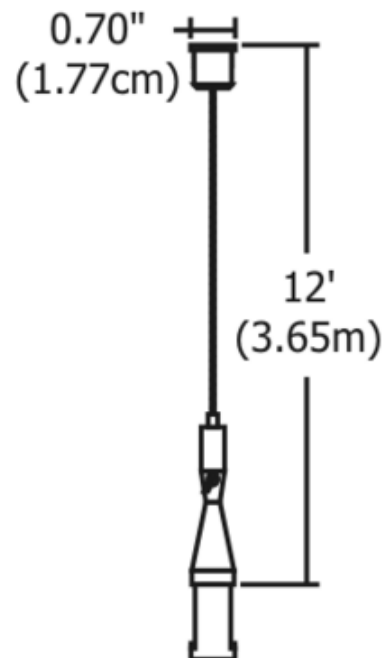
DESCRIPTION

Monorail 2-circuit adjustable standoffs feature a clean and minimal look. Best suited for straighter runs. 12 feet of field-cuttable aircraft cable is adjustable with integral wire grip. Place a standoff every 3 feet on the rail system. For best appearance, place a standoff near the end of the run and at every point where joining two pieces of 2-circuit Monorail together. Finish available in satin nickel or antique bronze. ETL listed.



SHADE COLOR	N/A
BODY FINISH	Satin Nickel
WATTAGE	N/A
DIMMER	N/A
DIMENSIONS	0.7"W x 144"H
LAMP	N/A

SPEC # EDG50227



COMPANY	PROJECT	FIXTURE TYPE	APPROVED BY	DATE