

Lightology

lightology.com
866-954-4489
04-25-26

Project: _____
 Company: _____
 Location: _____ Fixture Type: _____
 SPEC #: **ET2503914**
 Approved On: _____ Approved By: _____

Saturn II Multi Tier Pendant By Et2



Description

The Saturn II Multi Tier Pendant features Matte Silver finished rings that support horizontal frosted acrylic diffusers which glow when illuminated. Note: 11-light option requires a junction box for fixtures weighing over 50 pounds.

Specifications

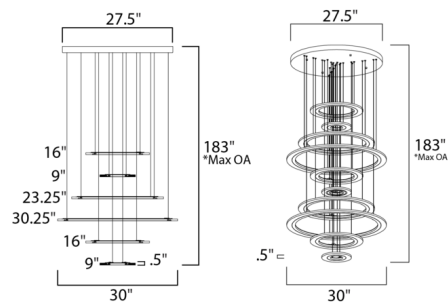
COLOR Frosted
 BODY FINISH Matte Silver
 WATTAGE 105W
 DIMMER Low Voltage Electronic
 DIMENSIONS 30"W x 0.5"H
 INTEGRATED LED MODULE 1 x LED/105W/120V LED

Technical Information

PRODUCT DIMENSIONS Cable Length: 180"
 COLOR RENDERING 80 CRI
 LAMP COLOR 3000K
 LUMENS/WATT 38.43
 LUMINOUS FLUX 4035 lumens



Shown in matte silver / frosted



CLICK TO VIEW PRODUCT

Notes: