

Lightology

lightology.com
866-954-4489
07-02-26

Project: _____

Company: _____

Location: _____ Fixture Type: _____

SPEC #: **RAB50819**

Approved On: _____ Approved By: _____

Penelope Pendant

By Robert Abbey



Description

The Penelope Pendant features a slightly tapered, drum-shaped shade for a versatile look that will effortlessly blend into any interior. UL listed. Compatible with sloped ceilings.

Specifications

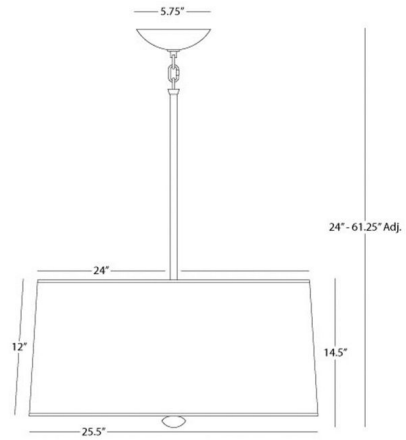
COLOR White Ceramk Parchment
BODY FINISH Polished Nickel
WATTAGE 300W
DIMMER Standard 120V
DIMENSIONS 25.5"W x 14.5"H
BULB NOT INCLUDED 3 x A19/Medium (E26)/100W/120V Incandescent
COUNTRY OF ORIGIN United States

Technical Information

PRODUCT DIMENSIONS Downrods Included: 3x12" + 1x6"



Shown in polished nickel / white ceramk parchment



CLICK TO VIEW PRODUCT

Notes: