

DESIGNER

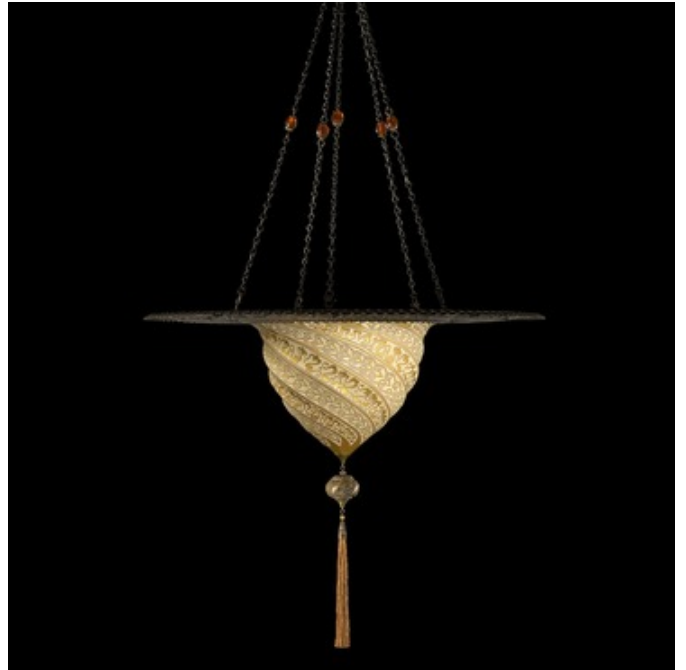
Mariano Fortuny

BRAND

Venetia Studium

DESCRIPTION

The Samarkanda Glass Ring Pendant brings a Turkish - Venetian style to your space with its decorative pattern glass shade and striking details and a decorative ring. Available in Gold Serpentine, White Serpentine, or Silver Serpentine with a Brass finish. Made in Italy.



Shown in: Brass / Gold Serpentine

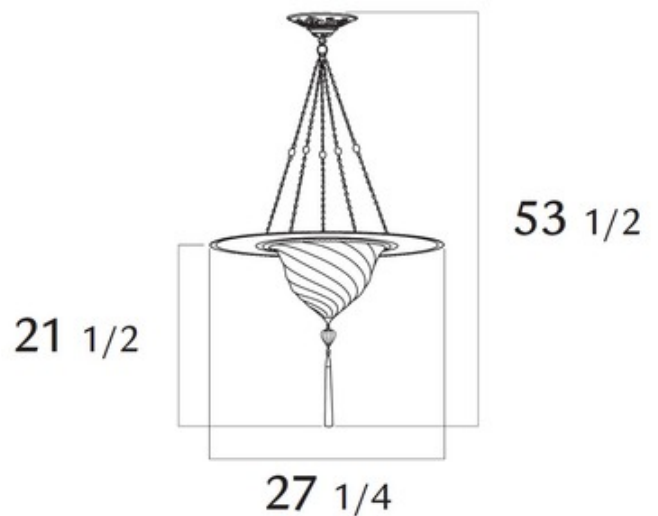
SHADE COLOR	Gold Serpentine
BODY FINISH	Brass
WATTAGE	100W
DIMMER	Incandescent
DIMENSIONS	27.25"W x 21.5"H
LAMP	1 x A19/Medium (E26)/100W/120V Incandescent 1 x A19/Medium (E26)/120V LED

Technical Information

PRODUCT DIMENSIONS	Max Overall Length: 53.5"
---------------------------	---------------------------

ITEM NUMBER

VEN50914



COMPANY

PROJECT

FIXTURE TYPE

APPROVED BY

DATE