

Lightology

lightology.com
866-954-4489
04-07-26

Project: _____

Company: _____

Location: _____ Fixture Type: _____

SPEC #: **ET251607**

Approved On: _____ Approved By: _____

Larmes 24 Light Linear Suspension By Et2

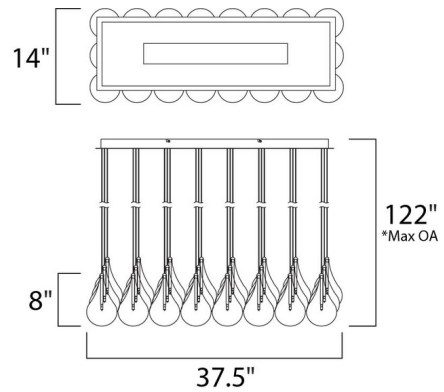


Description

Larmes Linear Suspension features gracefully over-sized Clear glass teardrops mounted onto a Polished Chrome lamp holder. 20 watt, 12 volt, T3/G4 base Xenon Halogen bulbs are included. 24 Light: 10 watt, 12 volt, T3/G4 base Xenon Halogen bulbs are included. 37.5 inch width x 8 inch height x 122 inch overall length.



Shown in polished chrome / clear



*max overall height

Specifications

COLOR Clear
BODY FINISH Polished Chrome
WATTAGE 240W
DIMMER Low Voltage Electronic
DIMENSIONS 37.5"L x 14"W x 8"H
BULB INCLUDED 24 x T3/G4 (bipin)/10W/12V Krypton Xenon

Technical Information

PRODUCT DIMENSIONS Min/Max Overall Height: 12" - 122"



CLICK TO VIEW PRODUCT

Notes: