



**BRAND**

Juno Lighting

**DESCRIPTION**

Aculux 3.25 Inch Non-IC New Construction low profile housing is ideal for space-restricted plenum applications and is designed to fit 2 x 6 construction. The housing is designed for use in non-insulated areas or where insulation is spaced at least 3 inch from housing. Features Acu-Aim geared hot aiming for 370 degree rotation and 45 degree tilt. Deep lamp regression and optimized beam center provide 45 degree lamp/lamp image cut-off for exceptional low aperture. Suitable for wet locations with certain trims. Available with an electronic low voltage (ELV) or magnetic low voltage (MLV) transformer. Lamp type/wattage dependent upon housing/trim combination. Note: A complete fixture requires a housing and trim, sold separately.

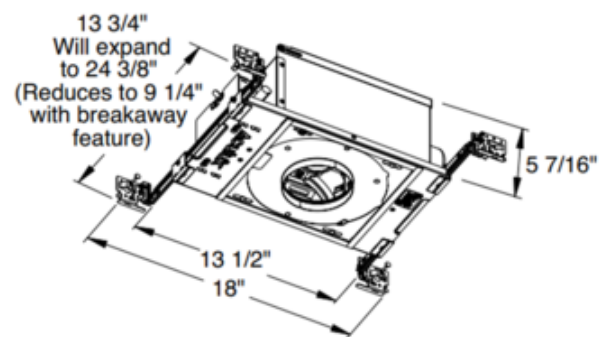


Shown in: Black

<b>TRIM COLOR</b>	N/A
<b>BODY FINISH</b>	Black
<b>WATTAGE</b>	75W
<b>DIMMER</b>	Low Voltage Magnetic
<b>DIMENSIONS</b>	18"W x 5.4"H x 13.75"D
<b>BULB NOT INCLUDED</b>	
<b>LAMP</b>	MR16/GU5.3 (bipin)/75W/12V Halogen 1 x MR16/GU5.3 (bipin)/12V LED

*Technical Information*

<b>CEILING TYPE</b>	Drywall with Trim
<b>HOUSING TYPE</b>	New Construction NON IC
<b>HOUSING HEIGHT</b>	6"



4 1/4" CEILING CUTOUT

**SPEC #** JUN52454

COMPANY	PROJECT	FIXTURE TYPE	APPROVED BY	DATE