

# Lightology

lightology.com  
866-954-4489  
04-25-26

Project: \_\_\_\_\_

Company: \_\_\_\_\_

Location: \_\_\_\_\_ Fixture Type: \_\_\_\_\_

SPEC #: **HMR532999**

Approved On: \_\_\_\_\_ Approved By: \_\_\_\_\_

## Textured Glass Square Chandelier By Hammerton Studio

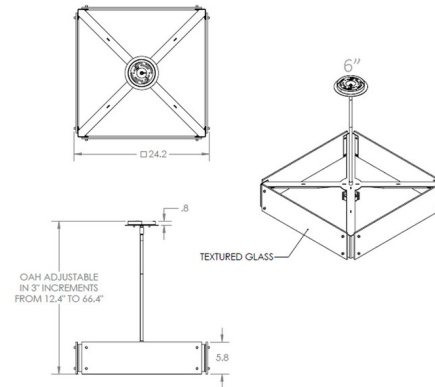


### Description

The Textured Glass Square Chandelier brings a visual masterpiece to your interior space. Each of the four panels of glass requires skilled artisan precision and two kiln passes to achieve this stunning look. Each piece is a unique work of art. Length is adjustable in 3 inch increments. Canopy: 6 inch diameter.



Shown in matte black / ivory wisp



### Specifications

COLOR	Ivory Wisp
BODY FINISH	Matte Black
WATTAGE	300W
DIMMER	Standard 120V
DIMENSIONS	24.2"W x 5.8"H
BULB NOT INCLUDED	4 x A19/Medium (E26)/75W/120V Incandescent
OTHER BULB OPTIONS	4 x A19/Medium (E26)/120V LED
COUNTRY OF ORIGIN	United States

### Technical Information

PRODUCT DIMENSIONS	Min/Max Adjustable Length: 12.4" - 66.4"
--------------------	--



CLICK TO VIEW PRODUCT

Notes: