

Lightology

lightology.com
866-954-4489
05-25-26

Project: _____
 Company: _____
 Location: _____ Fixture Type: _____
 SPEC #: **HMR533039**
 Approved On: _____ Approved By: _____

Textured Glass Drum Pendant By Hammerton Studio

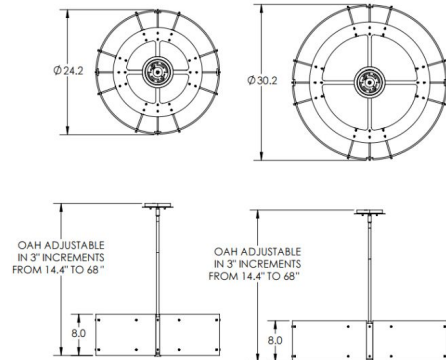


Description

The Textured Glass Drum Pendant brings a visual masterpiece to your interior space. The glass requires skilled artisan precision and two kiln passes to achieve this stunning look. Each piece is a unique work of art. Sloped ceiling compatible up to 45 degrees. Canopy: 6 inch diameter.



Shown in beige silver / frosted rimelight



Specifications

COLOR	Frosted Rimelight
BODY FINISH	Beige Silver
WATTAGE	300W
DIMMER	Standard 120V
DIMENSIONS	24.2"W x 8"H
BULB NOT INCLUDED	4 x A19/Medium (E26)/75W/120V Incandescent
OTHER BULB OPTIONS	4 x A19/Medium (E26)/120V LED



CLICK TO VIEW PRODUCT

Notes: