



**BRAND**

Juno Lighting

**DESCRIPTION**

The MD1LG2 Series Round Mini LED Downlight opens up a multitude of task and accent lighting possibilities, especially when installation space is at a premium. Ideal for both residential and commercial limited space applications including niches, bookshelves, displays and cabinets. These second generation recessed Mini LEDs still require only 5 watt input, but now feature 50 percent higher lumens. Available in White and Black painted finish and Satin Nickel plated finish. Comparable light output to a 20 watt MR11 halogen. 50,000 hour average lamp life. Designed for use in IC (insulated ceiling) or Non-IC construction. If using in an IC application, it is recommended that the insulation be pulled away from the fixture due to adjustment feature. Includes 12 volt onboard LED driver, but requires a remote Class II electronic transformer (recommended Juno TL602E low voltage electronic transformer) to complete the system, sold separately. UL listed for damp locations. May be dimmed using the following Juno qualified dimmers: Leviton Acenti Ace-06-1L, Lutron Diva DVELV-300P, Lutron Nova T NTELV300, Lutron Skylark SELV-300P, or Lutron Spacer SPSELV-600, sold separately.

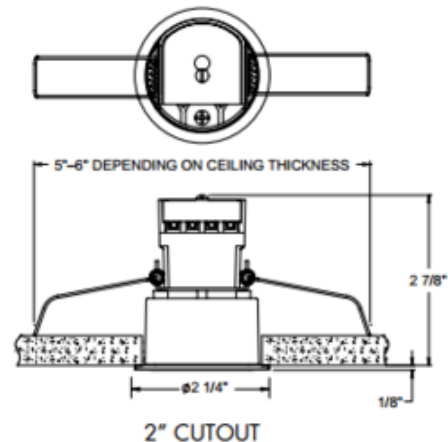


Shown in: White

<b>TRIM COLOR</b>	N/A
<b>BODY FINISH</b>	White
<b>WATTAGE</b>	5W
<b>DIMMER</b>	Low Voltage Electronic
<b>DIMENSIONS</b>	2.25"W x 2.9"H
<b>INTEGRATED LED MODULE</b>	
<b>LAMP</b>	1 x LED/5W/12V LED

*Technical Information*

<b>LUMINOUS FLUX</b>	300 lumens
<b>LUMENS/WATT</b>	60.00
<b>LAMP COLOR</b>	2700K
<b>COLOR RENDERING</b>	80 CRI
<b>BEAM ANGLE</b>	16°
<b>LAMP LIFE</b>	50000 hours
<b>FUNCTION</b>	Downlight
<b>CEILING TYPE</b>	Drywall with Trim
<b>HOUSING TYPE</b>	Remodel NON IC
<b>HOUSING HEIGHT</b>	3"
<b>SPEC #</b>	JUN534121



COMPANY	PROJECT	FIXTURE TYPE	APPROVED BY	DATE