

Lightology

lightology.com
866-954-4489
05-25-26

Project: _____
 Company: _____
 Location: _____ Fixture Type: _____
 SPEC #: **JUN534194**
 Approved On: _____ Approved By: _____

MG1LG2 Round Mini LED Gimbal Housing and Trim By Juno Lighting



Description

The MG1LG2 Series Round Mini LED Gimbal opens up a multitude of task and accent lighting possibilities, especially when installation space is at a premium. These second generation recessed Mini LEDs still require only 5 watt input, but now feature 50 percent higher lumens. Features 30 degree vertical aiming and 360 degree rotation. Available in White and Black painted finish and Satin Nickel or Bronze plated finish. Includes 5 watt LED module with choice of 2700K, 3000K, 3500K or 4100K color temperature, 80+CRI, 300 lumens, and Spot (16 degree), Narrow Flood (24 degree), and Flood (35 degree) beam angle optic. Comparable light output to a 20 watt MR11 halogen. 50,000 hour average lamp life. Designed for use in IC (insulated ceiling) or Non-IC construction. If using in an IC application, it is recommended that the insulation be pulled away from the fixture due to adjustment feature. Includes 12 volt onboard LED driver, but requires a remote Class II electronic transformer (recommended Juno TL602E low voltage electronic transformer) to complete the system, sold separately. UL listed for damp locations. 2.63 inch diameter trim x 3.25 inch height. May be dimmed using the following Juno qualified dimmers: Leviton Illumatech IPE04, Lutron Diva DVELV-300P, Lutron Nova T NTELV 300, Lutron Skylark SELV-300P, Lutron Spacer SPSELV-600, or Lutron Maestro MAELV-600.

Specifications

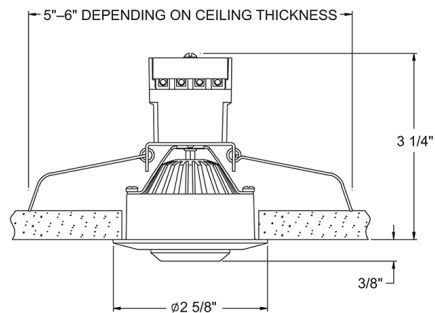
REFLECTOR/BAFFLE COLOR	N/A
BODY FINISH	Black
WATTAGE	5W
DIMMER	Low Voltage Electronic
DIMENSIONS	2.63"W x 3.25"H
INTEGRATED LED MODULE	1 x LED/5W/12V LED

Technical Information

LAMP LIFE	50000 hours
BEAM ANGLE	24°
COLOR RENDERING	80 CRI
LAMP COLOR	2700K
LUMENS/WATT	60.00
LUMINOUS FLUX	300 lumens



Shown in black



CLICK TO VIEW PRODUCT

Notes: