



**BRAND**

Lutron

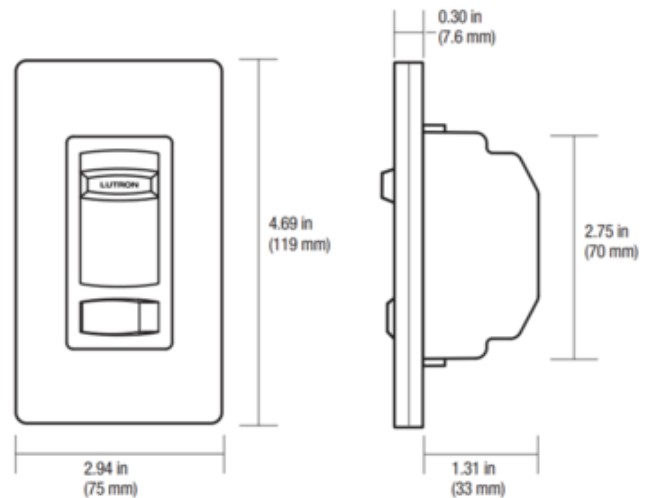
**DESCRIPTION**

The Diva LED+ Dimmer features a large paddle switch and linear-slide dimmer that can be pre-set. Single pole/3-way. Available in satin and gloss finishes. Designed for use with dimmable compact fluorescent with integrated ballast or dimmable LED with integrated driver up to 150 watts, 120 volt incandescent and halogen up to 600 watts, mixed bulb type per multigang and mix bulb type ratings table, or 250 watt Lutron LTEA Hi-lume 1% forward phase LED driver (max 6 drivers). Note: Claro designer style wall plates sold separately.



*Shown in: Gloss Almond*

<b>SHADE COLOR</b>	N/A
<b>BODY FINISH</b>	Gloss Almond
<b>WATTAGE</b>	N/A
<b>DIMMER</b>	N/A
<b>DIMENSIONS</b>	2.94"W x 4.69"H x 1.31"D
<b>LAMP</b>	N/A



**ITEM NUMBER** LUT53569

COMPANY	PROJECT	FIXTURE TYPE	APPROVED BY	DATE