



DESIGNER

Gregory Kay

BRAND

PureEdge Lighting

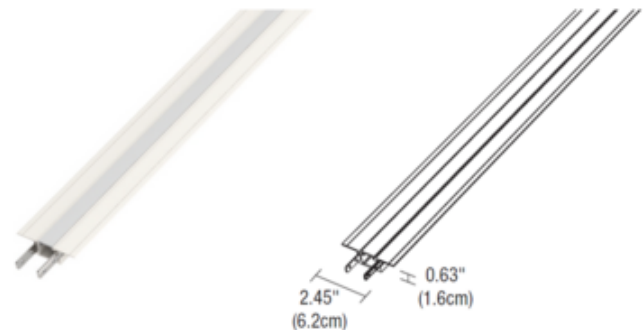
DESCRIPTION

TruLine .5A 24VDC Do-It-Yourself (DIY) linear plaster-in LED system recesses into drywall without any joist modification and allows for creating more complex configurations using pre-formed components. Redefining the relationship between lighting and interior design, this Innovative and highly efficient system blends seamlessly into the drywall, becoming part of the architecture. System can be installed on a single surface (wall or ceiling), or on multiple planes that join runs from wall to ceiling or wall to wall. With the ability to run in vertical, horizontal, and diagonal directions or wrap both inside and outside corners, the compositions are truly endless. LED Strip available in 1 foot increments in 2 (2.5 watts up to 40 feet) or 5 (4.4 watts up to 20 feet) watts per foot and is field cuttable. Static White and Monochromatic Color dimmable with a 50 watt (PS-60L-ELV) power supply which fits inside junction box (dimmable with ELV), or a remote Universal (UNI) power supply (dimmable ELV/TRIAC/0-10V). Tunable White requires a Tunable White power supply with DMX (must be used with CDMX1-2XK controller), or a 0-10V 2-channel Tunable White power supply (dimmable with two dimmers -- one for intensity and one for color temperature). Note: Required power supply, LED strip, TL.5A channel (includes lens and channel joiners), end or center power feed, pre-formed components, and optional accessories sold separately. Title 24 compliant when used with 2700K color temperature and above and a PureEdge remote Universal power supply. Product is built to order



Shown in: Satin Aluminum

SHADE COLOR	N/A
BODY FINISH	Satin Aluminum
WATTAGE	N/A
DIMMER	N/A
DIMENSIONS	96"L x 2.45"W x 0.63"H
LAMP	N/A



SPEC # EDG542673

COMPANY	PROJECT	FIXTURE TYPE	APPROVED BY	DATE