



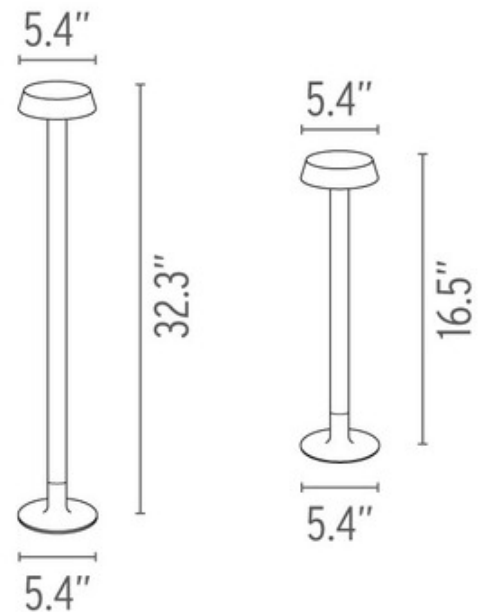
DESIGNER Antonio Citterio + Toan Nguyen
BRAND FLOS

DESCRIPTION

The tall and lean Belvedere Clove Outdoor Light allows for an elegant illumination of its surroundings without requiring a tremendous amount of space. Ideal for areas that require a strongly detailed light. Made of low copper content aluminum alloy, which features galvanic treatments to protect against saline aggression. There is a watertight box with anti-humidity gel that connects to the power supply, and a watertight cable gland. Insulation Class I Electronic ballast is included. Available in two heights. Six 1 watt 120 volt LED modules are included. 5.4 inch width x 16.5 or 32.3 inch height. UL listed. Wet rated - IP55.



SHADE COLOR	N/A
BODY FINISH	Deep Brown
WATTAGE	6W
DIMMER	Not Dimmable
DIMENSIONS	5.4"W x 16.5"H
INTEGRATED LED MODULE	
LAMP	6 x LED/1W/120V LED
<i>Technical Information</i>	
LUMINOUS FLUX	350 lumens
LUMENS/WATT	350.00
LAMP COLOR	3000K
SPEC #	FLO542677



COMPANY	PROJECT	FIXTURE TYPE	APPROVED BY	DATE