



DESIGNER Antonio Citterio + Toan Nguyen

BRAND FLOS

DESCRIPTION

The Belvedere Single Spot Beam Outdoor Light allows for an elegant illumination of its surroundings through a succinct spotlight. The fixture features an adjustable head for lighting areas of significant size, such as parking lots or outdoor residential areas. Made of low copper content aluminum alloy, which features galvanic treatments to protect against saline aggression. There is a watertight box with anti-humidity gel that connects to the power supply, and a watertight cable gland. Insulation Class I Electronic ballast is included. Available in three heights. Six one watt 120 volt 9 degree spot beam angle LED modules are included. 5.4 inch base with x 7/19.7/35.4 inch height. Wet rated - IP55. UL listed.

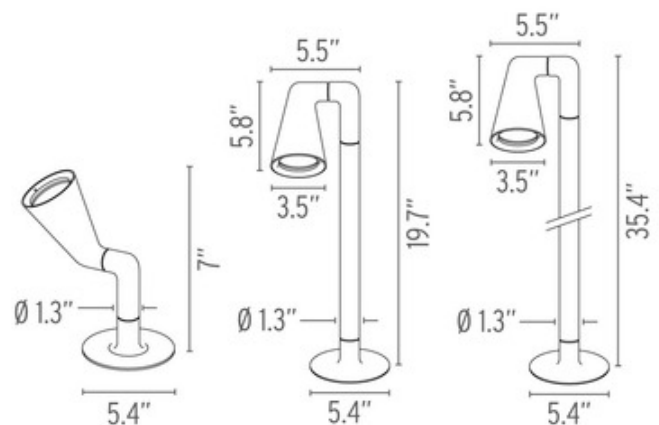


SHADE COLOR	N/A
BODY FINISH	Deep Brown
WATTAGE	6W
DIMMER	Not Dimmable
DIMENSIONS	5.4"W x 7"H
INTEGRATED LED MODULE	
LAMP	6 x LED/1W/120V LED

Technical Information

LUMINOUS FLUX	350 lumens
LUMENS/WATT	350.00
LAMP COLOR	3000K
BEAM ANGLE	9°

SPEC # FLO542681



COMPANY	PROJECT	FIXTURE TYPE	APPROVED BY	DATE