

Lightology

lightology.com
866-954-4489
05-22-26

Project: _____

Company: _____

Location: _____ Fixture Type: _____

SPEC #: **EDG542770**

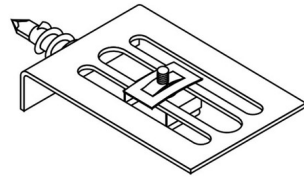
Approved On: _____ Approved By: _____

Mounting Clip

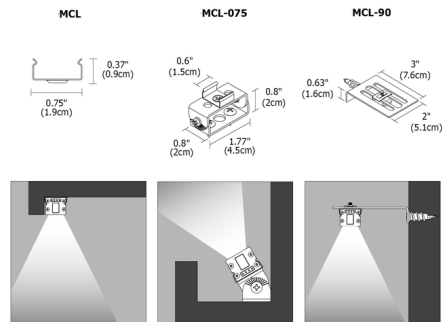
By PureEdge Lighting

Description

The MCL standard mounting clips are provided with every two feet of Light Channel and may be ordered separately as replacement or additional parts. The MCL-075 rotates up to 75 degrees and the MCL-90 mounts channel at a 90 degree angle.



Shown in aluminum



Specifications

| | | |
|-------------|-------|--------------------|
| COLOR | | N/A |
| BODY FINISH | | Aluminum |
| WATTAGE | | N/A |
| DIMMER | | N/A |
| DIMENSIONS | | 3"W x 0.63"H x 2"D |
| BULB | | N/A |



CLICK TO VIEW PRODUCT

Notes: