



BRAND

Eurofase

DESCRIPTION

The TE164B 4-Light Square 6 Inch Aperture Non-IC Remodel Housing is constructed of 18 gauge powder coated steel and features adjustable mounting clips suitable for 1/2 inch and 5/8 inch drywall. Non-IC designation requires that insulation be kept a minimum of 3 inches away from housing. Includes adjustable 4-light trim with beveled profile made of extruded aluminum available in a powder coat White trim with a White or Black reflector, or a powder coat Black or Platinum trim with a Black reflector. Four 50 watt, 120 volt PAR20 medium base halogen bulbs or LED equivalent are required, but not included. 0-35 degree horizontal adjustment. Integral electrical junction box with two 1/2 inch and four 3/4 inch knockouts for through branch wiring. Halogen dimmable with a standard incandescent dimmer, sold separately. Consult with bulb manufacturer for dimmer compatibility when using LED equivalent. ETL listed.

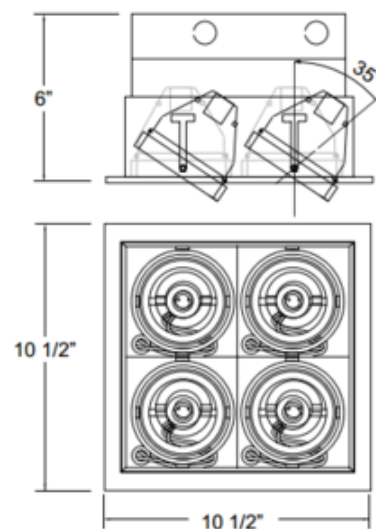


TRIM COLOR	N/A
BODY FINISH	Platinum Trim / Black Reflector
WATTAGE	200W
DIMMER	Dimmable
DIMENSIONS	10.5"W x 6"H x 10.5"D
BULB NOT INCLUDED	
LAMP	4 x PAR20/Medium (E26)/50W/120V Halogen 4 x PAR20/Medium (E26)/120V LED

Technical Information

FUNCTION	Adjustable Accent
CEILING TYPE	Drywall with Trim
HOUSING TYPE	Remodel NON IC
HOUSING HEIGHT	6"
APERTURE SHAPE	Square

SPEC # EUF543726



9 1/2"L x 9 1/2"W

COMPANY	PROJECT	FIXTURE TYPE	APPROVED BY	DATE