



BRAND

Leucos

DESCRIPTION

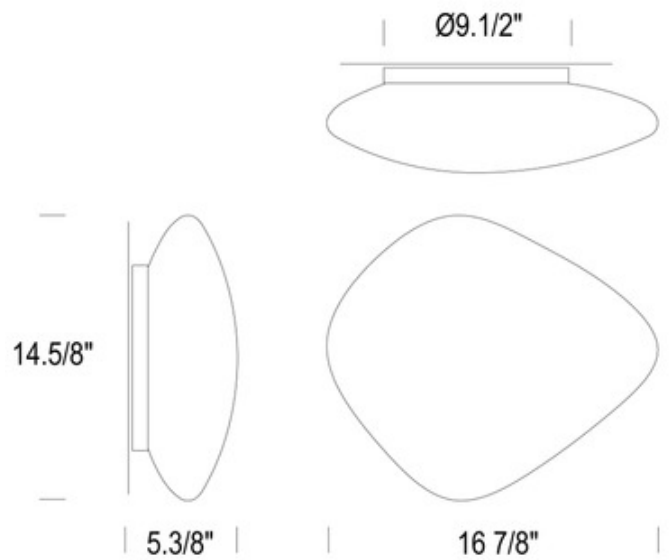
Stone was designed in 2006 by Leucos Design Lab to provide a handblown glass wall / ceiling lamp that captures the beautiful unique shape of a smooth stone. This form lends Stone to be used as a stand alone light or in sets that create an interesting play of angles and shapes against each other like stones on a beautiful beach. Stone creates perfect diffused light for your home, office or contract setting and begs you to configure it in amazing ways.



SHADE COLOR	White
BODY FINISH	White
WATTAGE	16W
DIMMER	Standard 120V
DIMENSIONS	16.875"W x 16.875"H x 5.375"D
BULB NOT INCLUDED	
LAMP	2 x A19/Medium (E26)/8W/120V LED 2 x A19/Medium (E26)/60W/120V Incandescent

SPEC #

LEU5475



COMPANY

PROJECT

FIXTURE TYPE

APPROVED BY

DATE