

LEDme 1IN Square Downlight / Housing / Transformer



Description:

LEDme 1 inch Mini LED Square Recessed Trim includes housing and single LED module. Die-cast trim ring and aluminum heat sink. Finish available in White, Brushed Nickel, or Gunmetal. Housing and junction box is 20 gauge steel, painted black. Frame and hanger bars are heavy gauge galvanized steel. Remodeling housings or new construction housing for installation. Includes hanger bars, adjustable from 15-24.5 inches to accommodate various joist construction and grid sizes. One 4 watt 120 volt LED module is included. Choice of 2700K, 3000K, 3500K, or 4500K color temperature. IC rated: suitable for direct contact with insulation. Complete fixture. 2.75 inch square x 3.13 inch height. UL listed.

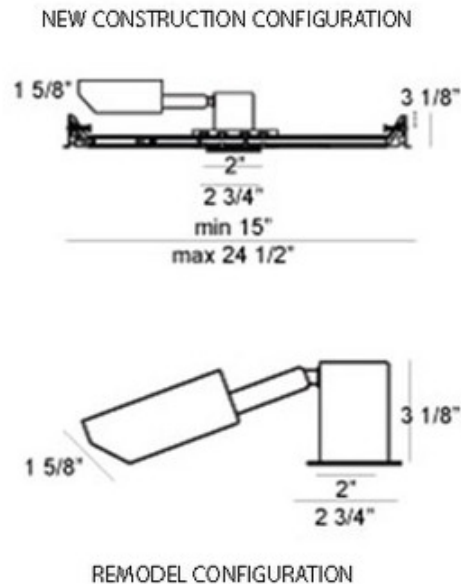
Shown in: White

List Price: \$195.14
 Our Price: \$140.50

Shade Color: N/A
 Body Finish: White
 Lamp: 1 x LED/4W/120V LED
 Wattage: 4W
 Dimmer: Low Voltage Electronic
 Dimensions: 24.5"L x 2.75"W x 3.13"H

Technical Information

Luminous Flux: 117 lumens
 Lumens/Watt: 29.25
 Lamp Color: 3000 K
 Color Rendering: 85 CRI
 Lamp Life: 50000 hours
 Function: Downlight
 Ceiling Type: Drywall with Trim
 Housing Type: New construction IC
 Housing Height: 3"
 Aperture Shape: Square
 Aperture Size: 1.000"



Product Number: WAC55121			
Company:		Fixture Type:	Date: Oct 19, 2019
Project:		Approved By:	

#2306RE-HR251-003L1-OOWH

Fax: (773) 883-6131

Phone: 866-954-4489

Address: 1718 W. Fullerton Ave. Chicago IL 60614

www.Lightology.com