

Lightology

lightology.com
866-954-4489
05-24-26

Project: _____
Company: _____
Location: _____ Fixture Type: _____
SPEC #: **FAB557452**
Approved On: _____ Approved By: _____

Oru Copper Pendant By Fabbian

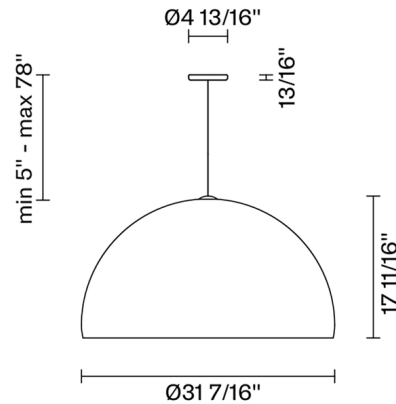


Description

The Oru Copper Pendant is created from a single sheet of copper that is hammered by hand into its shape over a domed wooden mold. The artisan's hammering marks are visible on the unfinished exterior, making a uniquely personalized pattern on each fixture. The inside of the pendant is polished to a smooth finish to reflect the light source within the fixture. The half-dome design is a classic form that serves the residential and commercial markets.



Shown in copper



Specifications

COLOR	N/A
BODY FINISH	Copper
WATTAGE	81W
DIMMER	Standard 120V
DIMENSIONS	31.44"W x 17.69"H
BULB NOT INCLUDED	3 x A21/Medium (E26)/27W/120V LED
OTHER BULB OPTIONS	1 x A21/Medium (E26)/120V LED



CLICK TO VIEW PRODUCT

Notes: