

Lightology

lightology.com
866-954-4489
05-24-26

Project: _____
 Company: _____
 Location: _____ Fixture Type: _____
 SPEC #: **WAC557833**
 Approved On: _____ Approved By: _____

Tube 5 inch Architectural Color Changing Pendant By WAC Lighting



Description

The Tube 5 Inch Architectural Color Changing Pendant is a high performance exterior rated LED pendant mounted light featuring the latest energy efficient LED technology in an appealing cylindrical profile. Driver concealed within the fixture. Tunable White for correlated color temperature range of 1650-8000K. Full color gamut control through gradients of saturated colors from 1-100%. DMX512-A with DMX commissioning via RDM. 100-1 percent intensity control in CCT & color via DMX. DMX control (by others), sold separately. Color changing and dimming can be controlled via Bluetooth with ilumenight iOS App. Includes 45 degree swivel canopy and two field-cutttable 24 inch down rods. Additional downrods may be ordered separately.

Specifications

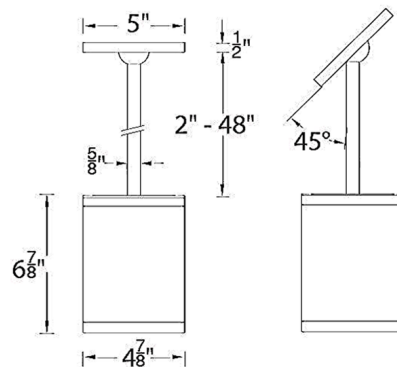
COLOR	Clear
BODY FINISH	Black
WATTAGE	31W
DIMMER	N/A
DIMENSIONS	4.88"W x 6.88"H
INTEGRATED LED MODULE	1 x LED/31W/120-277V LED

Technical Information

LAMP LIFE	54000 hours
BEAM ANGLE	30°
COLOR RENDERING	90 CRI
LAMP COLOR	RGB+White
LUMENS/WATT	20.00
LUMINOUS FLUX	620 lumens



Shown in black / clear



CLICK TO VIEW PRODUCT

Notes: