



**BRAND**

WAC Lighting

**DESCRIPTION**

Silo X10 Monopoint offers superior light output in a small, sleek design. Ideal for residential, retail, and lower mounting height commercial applications. Die-cast aluminum construction finished in White, Black, or Brushed Nickel with rotatable front face. 350 degree horizontal and 90 degree vertical aiming. Outperforms halogen 65 watt MR16 bulbs. One 10 watt 120 volt LED module is included. 35 degree narrow flood optic installed, 25 degree spot optic included. UL listed for damp locations.



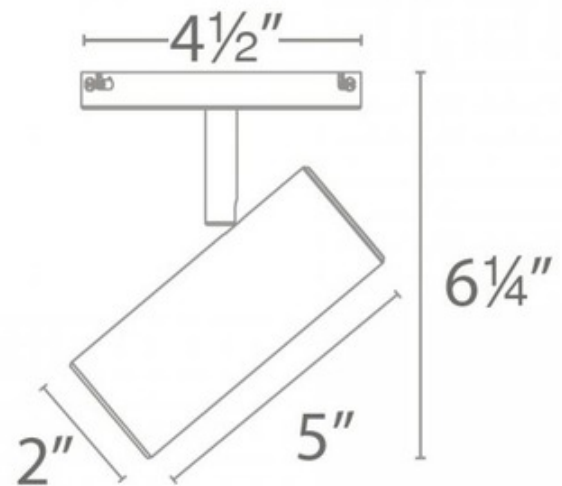
*Shown in: Brushed Nickel*

<b>SHADE COLOR</b>	N/A
<b>BODY FINISH</b>	Brushed Nickel
<b>WATTAGE</b>	10W
<b>DIMMER</b>	Low Voltage Electronic
<b>DIMENSIONS</b>	5"L x 2"W x 6.25"H
<b>INTEGRATED LED MODULE</b>	
<b>LAMP</b>	1 x LED/10W/120V LED

*Technical Information*

<b>LUMINOUS FLUX</b>	790 lumens
<b>LUMENS/WATT</b>	79.00
<b>LAMP COLOR</b>	3000K
<b>COLOR RENDERING</b>	90 CRI
<b>BEAM SPREAD</b>	Adjustable

**SPEC #** WAC557912



COMPANY

PROJECT

FIXTURE TYPE

APPROVED BY

DATE

---