

Lightology

lightology.com
866-954-4489
04-22-26

Project: _____

Company: _____

Location: _____ Fixture Type: _____

SPEC #: **DUN566215**

Approved On: _____ Approved By: _____

Sorenthia Wall Sconce

By Studio Dunn

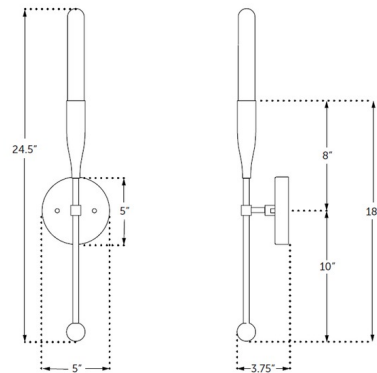


Description

The Sorenthia Wall Sconce sits elegantly and proud off its circular wall canopy. A local metallurgist plates the parts, which are then assembled for a perfect piece every time.



Shown in brushed nickel / nickel details



Specifications

COLOR N/A
BODY FINISH Brushed Nickel / Nickel Details
WATTAGE 75W
DIMMER Standard 120V
DIMENSIONS 5"W x 18"H x 3.75"D
BULB NOT INCLUDED 1 x T10/Medium (E26)/75W/120V Incandescent
OTHER BULB OPTIONS 1 x T10/Medium (E26)/120V LED
COUNTRY OF ORIGIN United States

Technical Information

PRODUCT DIMENSIONS Canopy: 5" Dia.



CLICK TO VIEW PRODUCT

Notes: