

Lightology

lightology.com
866-954-4489
05-17-26

Project: _____

Company: _____

Location: _____ Fixture Type: _____

SPEC #: **SKL575021**

Approved On: _____ Approved By: _____

Stem 2X Table Lamp

By SkLO

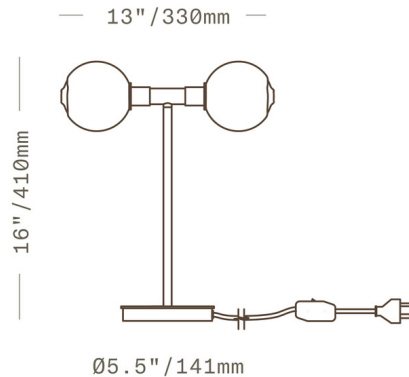


Description

The Stem Double Table Lamp features spherical hand blown Opaque White Czech glass with a sleek stem. Each glass sphere is broken hot from the glass master's pipe and then the mouth is torch-polished to create a unique detail, no two exactly alike. On/Off switch on cord.



Shown in brushed brass / opaque white



Specifications

COLOR	Opaque White
BODY FINISH	Brushed Brass
WATTAGE	9W
DIMMER	N/A
DIMENSIONS	13"W x 16"H
BULB INCLUDED	2 x JCD/G9/4.5W/120V LED
COUNTRY OF ORIGIN	Czech Republic

Technical Information

COLOR RENDERING	90 CRI
LAMP COLOR	3000K
LUMENS/WATT	100.00
LUMINOUS FLUX	450 lumens



CLICK TO VIEW PRODUCT

Notes: