



BRAND

Cerno

DESCRIPTION

Levis Pendant offers a sophisticated look that is simple upon first glance and reveals layers of complexity once gazed upon, featuring a geometric Frosted Polymer, Beech Wood, or Brushed Aluminum shade. Available in two sizes with a choice of 2700K and 3500K color temperature. Made in the USA. UL and CUL listed.



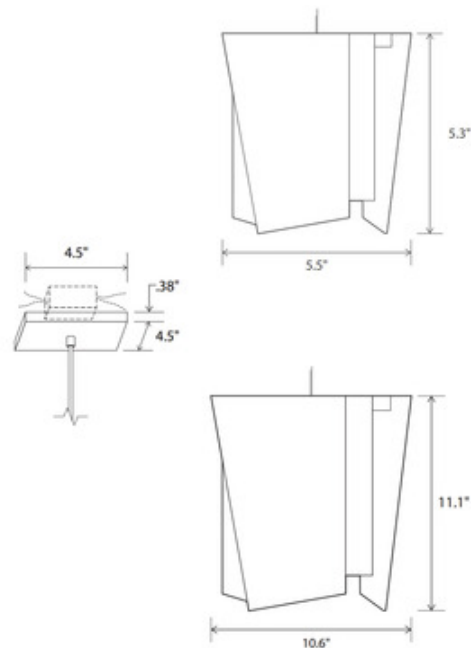
Shown in: Brushed Aluminum / Frosted Polymer

SHADE COLOR	Frosted Polymer
BODY FINISH	Brushed Aluminum
WATTAGE	3.2W
DIMMER	Low Voltage Electronic
DIMENSIONS	5.5"W x 5.3"H
INTEGRATED LED MODULE	
LAMP	1 x LED/3.2W/120V LED

Technical Information

LUMINOUS FLUX	345 lumens
LUMENS/WATT	107.81
LAMP COLOR	2700K
COLOR RENDERING	90 CRI

SPEC # CER57716



COMPANY	PROJECT	FIXTURE TYPE	APPROVED BY	DATE