

# Lightology

lightology.com  
866-954-4489  
04-24-26

Project: \_\_\_\_\_  
 Company: \_\_\_\_\_  
 Location: \_\_\_\_\_ Fixture Type: \_\_\_\_\_  
 SPEC #: **HMR577540**  
 Approved On: \_\_\_\_\_ Approved By: \_\_\_\_\_

## Gem Two Ring Chandelier By Hammerton Studio



### Description

The Gem Bezel Chandelier is jewelry for your home. Features gems of LED lit hand blown glass that are meticulously crafted by Hammerton artisans. The fixture gives a nod to an organic aesthetic that exudes casual sophistication. Each shade takes the place of a traditional bulb and unfolds with striking illumination. The finished look is relaxed, soft and unique. Each glass shade is a one of a kind artisan creation. Note: Due to the weight of this fixture, additional ceiling support is required.

### Specifications

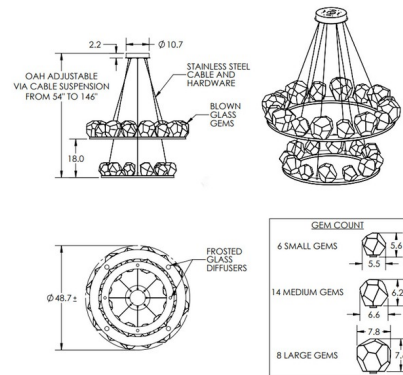
COLOR	Amber
BODY FINISH	Matte Black
WATTAGE	82.8W
DIMMER	Low Voltage Electronic
DIMENSIONS	48.7"W x 54"H
INTEGRATED LED MODULE	36 x LED/2.3W/120V LED
COUNTRY OF ORIGIN	United States

### Technical Information

PRODUCT DIMENSIONS	Min/Max Adjustable Length: 54" - 119"
COLOR RENDERING	93 CRI
LAMP COLOR	2700K
LUMENS/WATT	2,715.22
LUMINOUS FLUX	6245 lumens



Shown in matte black / amber



CLICK TO VIEW PRODUCT

Notes: